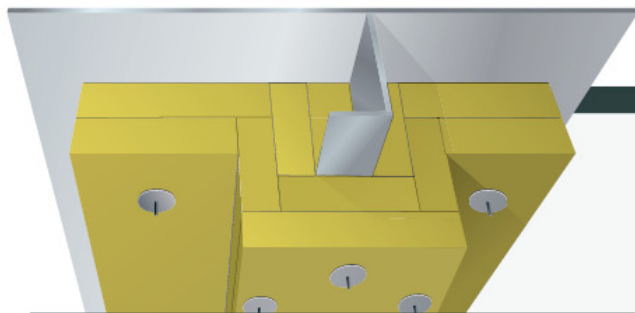


H-60 Steel Deck



Product: Rockwool HC Firebatts 150
Density: 150 kg/m³
Thickness: Plate 50 + 50 mm insulation
 Stiffener 50 + 50 mm insulation

Construction:

- Plate insulated with two layers of 50 mm Rockwool HC Firebatts 150.
- Stiffeners insulated with min. 2x50 mm Rockwool HC Firebatts 150.
- Standard steel plate 4.5 mm (\pm 0.5 mm) thick.
- \varnothing 3 mm pins fixed with approx 100/400 mm distance.

Application notes:

- All the connections must be tight, no air gaps.
- Gap under the stiffener must be filled out completely.
- The pins should exceed the insulation by approx 10 mm.
- Joints to be staggered, 150 mm overlap is recommended.

Advantages:



Safe solution



Optimal sound properties



Easy handling

Surfaces:

- Reinforced aluminium foil

Sound:

- Weighted sound absorption
 HC Firebatts 150, 2x50 mm $\alpha_w = 0.90$

